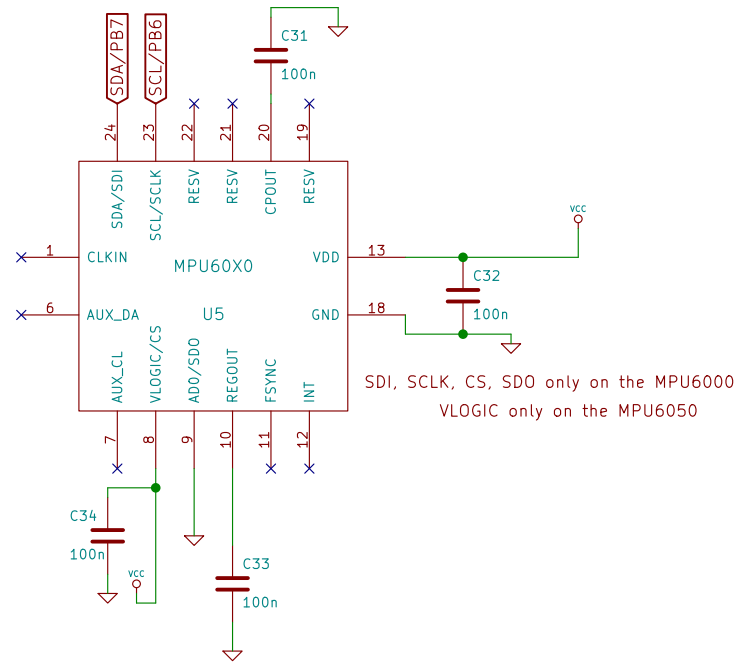
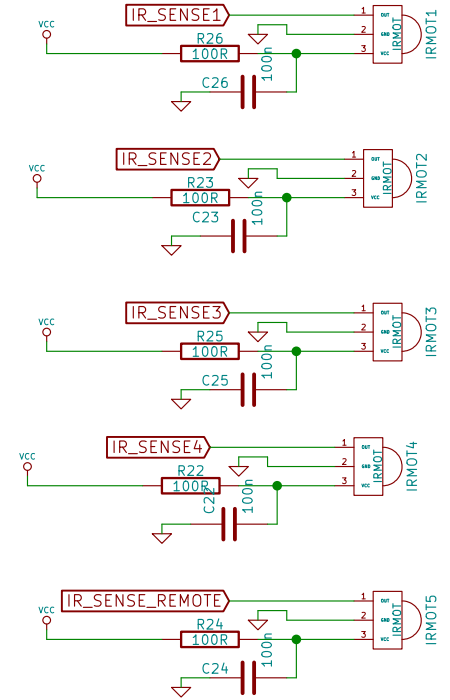
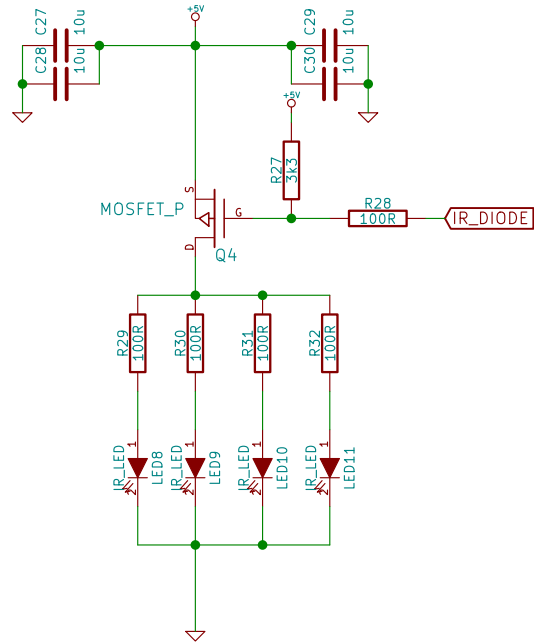
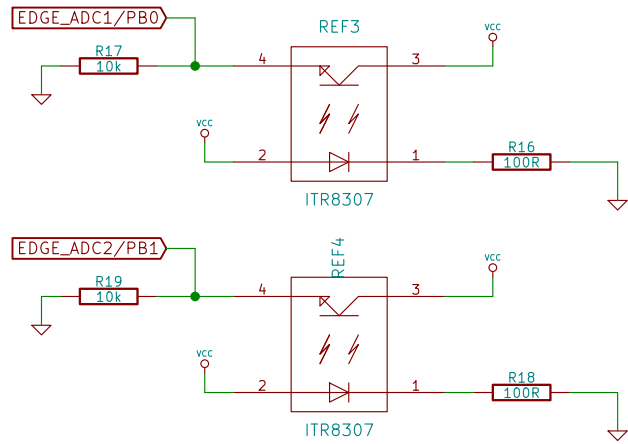


CRF

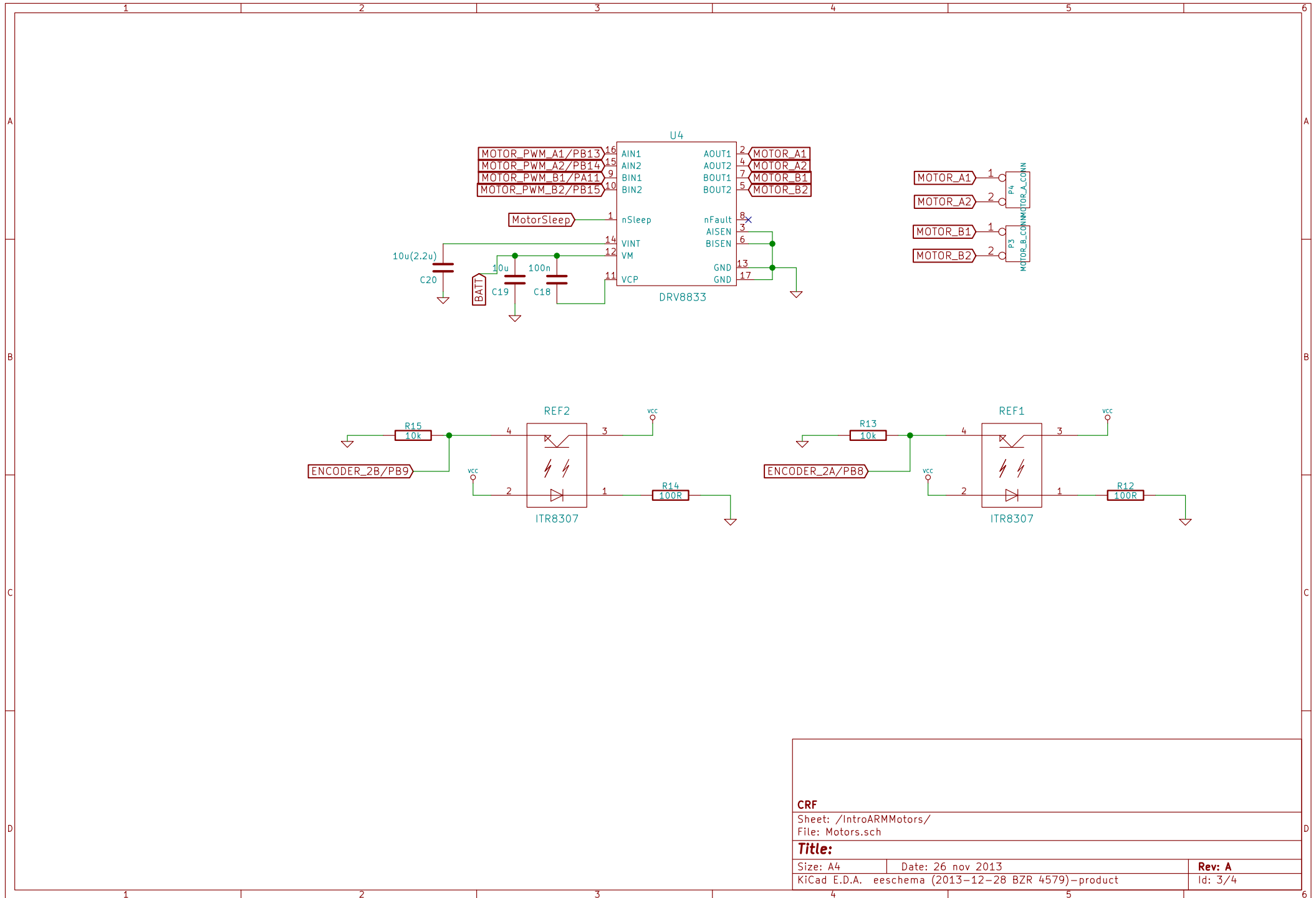
Sheet: /
File: IntroARM2012v3.sch

Title: noname.sch

Size: A4	Date: 26 nov 2013	Rev: A
KiCad E.D.A. eschema (2013-12-28 BZR 4579)-product		Id: 1/4



CRF		
Sheet: /IntroARMSensors/ File: Sensors.sch		
Title:		
Size: A4	Date: 26 nov 2013	Rev: A
KiCad E.D.A. eeschema (2013-12-28 BZR 4579)-product		Id: 2/4



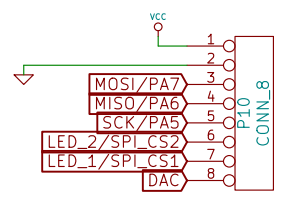
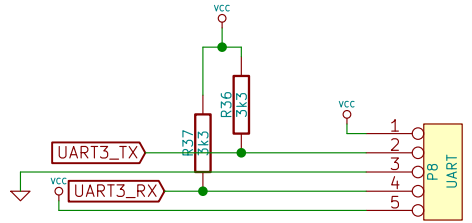
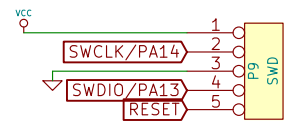
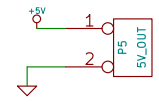
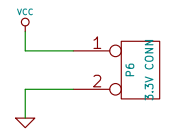
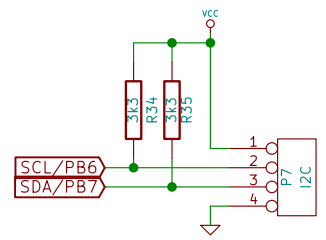
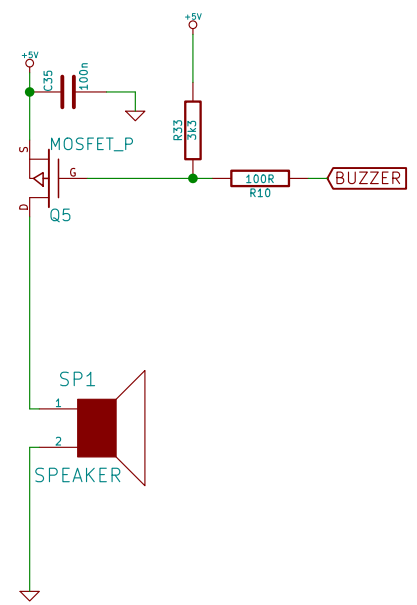
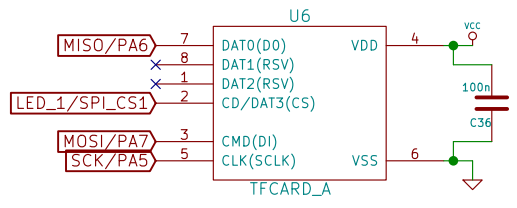
CRF

Sheet: /IntroARMMotors/
File: Motors.sch

Title:

Size: A4 Date: 26 nov 2013
KiCad E.D.A. eeschema (2013-12-28 BZR 4579)-product

Rev: A
Id: 3/4



Sheet: /Extras/		Date: 26 nov 2013	
File: Extras.sch		Rev:	
Size: A4	KiCad E.D.A. eeschema (2013-12-28 BZR 4579)-product		Id: 4/4